

# TIME DELAY RELAY



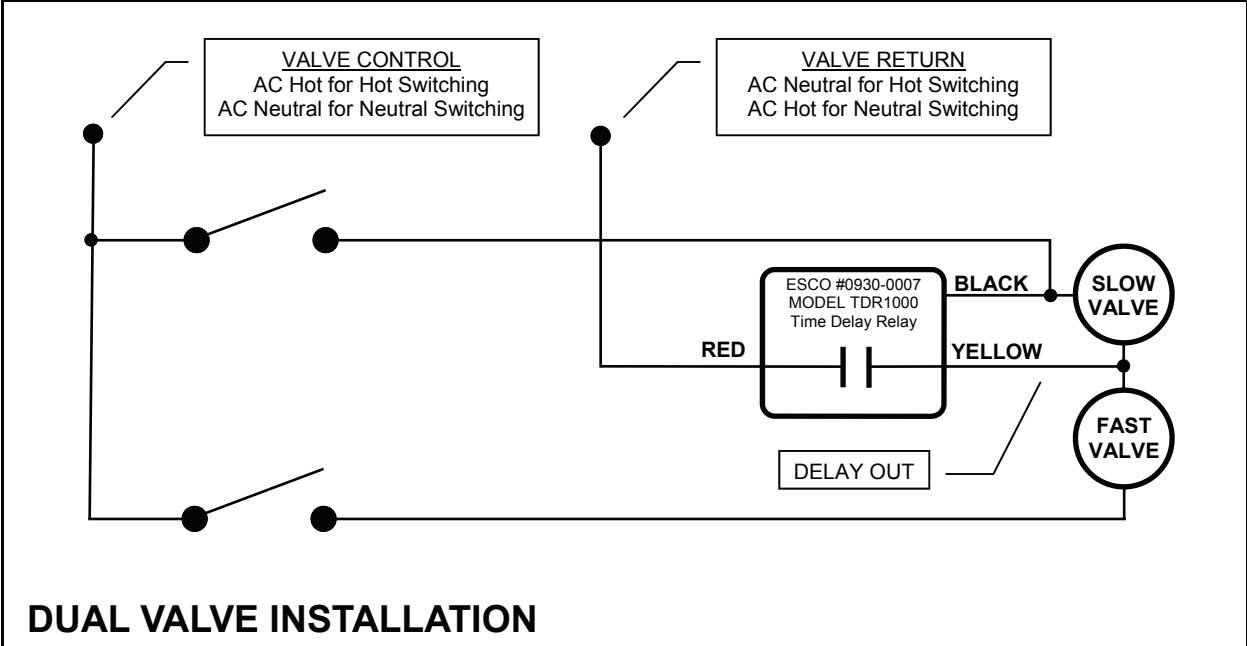
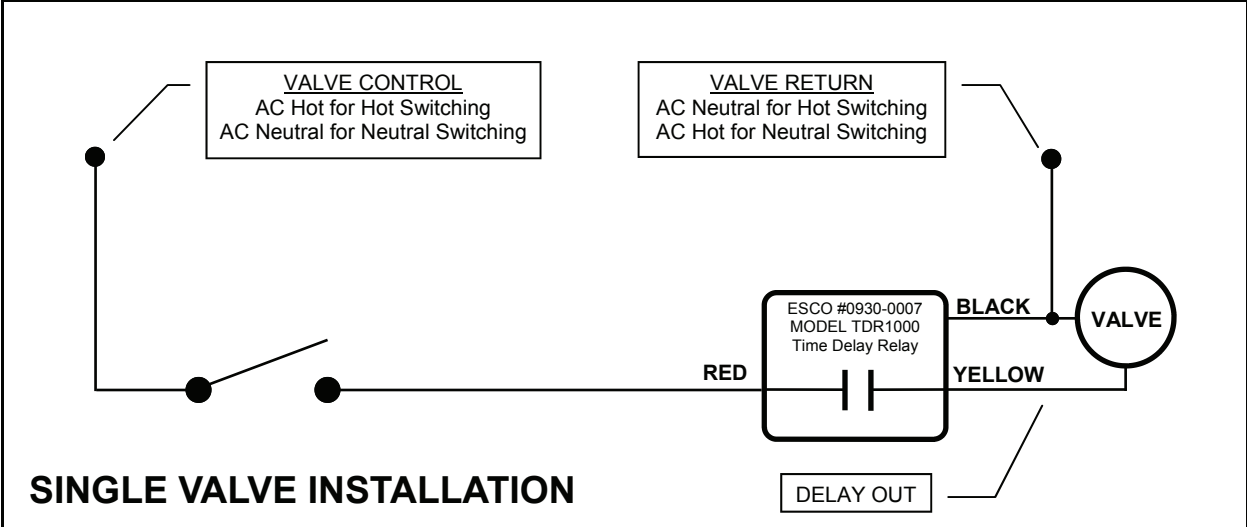
Eliminates false tripping of leak detection systems by not permitting product flow until line is fully pressurized

- ◆ Model #TDR 1000 Part # FE-TDR-1000
- ◆ C-MOS digital circuitry
- ◆ Selectable time delay (1 to 10 seconds)
- ◆ Easy three wire installation
- ◆ Fits in the J-box of most pumps
- ◆ Small size (2.0" x 2.0" x 0.75")
- ◆ Rated 1 amp @ 120 VAC (10 amp, in-rush)
- ◆ Does not mask true leaks
- ◆ Works with both electronic and mechanical dispensers

# TIME DELAY RELAY MODEL TDR1000 (FE-TDR-1000)

**SETTING DELAY TIME:**

The TDR1000 has a 4 position "DIP" switch for setting the delay time. The switches are numbered 1 through 4 and represents the Delay Time in seconds. Switch 1 is for a 1 Second delay, Switch 2 is for a 2 Second delay etc. These switches can be combined to set any desired delay up to a maximum of 10 seconds. Switches are activated by setting them to the "ON" Position.



### WIRE CONFIGURATION TABLE

**FOR NEUTRAL SWITCHING**

BLACK WIRE AC HOT (COMMON)	RED WIRE AC NEUTRAL (INPUT)	YELLOW WIRE AC NEUTRAL (DELAYED OUT)
----------------------------------	-----------------------------------	--------------------------------------------

**FOR HOT SWITCHING**

BLACK WIRE AC NEUTRAL (COMMON)	RED WIRE AC HOT (INPUT)	YELLOW WIRE AC HOT (DELAYED OUT)
--------------------------------------	-------------------------------	----------------------------------------

